



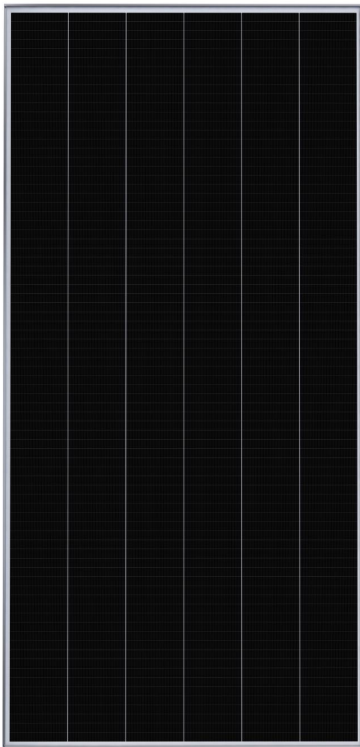
Shingled Cell



White Backsheet
Silver Frame



Commercial
Silver Frame



PERFORMANCE 3 COM

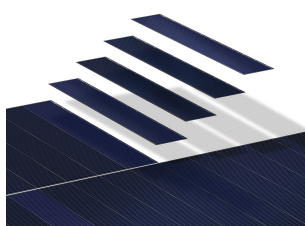
POWER RANGE: 420 - 405 W

The third-generation SunPower Performance 3 panel represents the latest chapter in a history of technology innovation, delivering enhanced warranty terms with an expanded active cell area for increased power and efficiency over previous generation panels.

Backed by an industry-leading warranty and an estimated 35-year useful life,¹ SunPower Performance panels wrap conventional front contact cells with 35 years of materials, engineering and manufacturing expertise to mitigate the reliability challenges of Conventional Panel design.

Engineered for Performance

- Smaller cells stay cooler when shaded, extending panel life⁴
- Proprietary encapsulant minimizes degradation from environmental exposure
- Conductive adhesive defends against daily temperature swings
- Redundant cell connections create flexible paths for continuous electricity flow



Durability that Translates to More Energy

Engineered to stand up to environmental stresses such as shading, daily temperature swings and high humidity, the SunPower Performance 3 panel delivers up to 8% more energy in the same space over 25 years compared to Conventional mono PERC Panels.²

A Track Record of Innovation Leadership

SunPower Performance panels represent the most deployed shingled cell panel in the industry—innovation protected by a growing portfolio of patents worldwide.³



4+ GW
Deployed



60+
Countries



90+
Patents

A Better Product. A Better Warranty.

Each SunPower Performance panel is manufactured with the confidence to deliver more energy and reliability over time—and backed for 25 years by the SunPower Complete Confidence Panel Warranty.

- Year 1 Minimum Warranted Power Output 97.5%
- Maximum Annual Degradation 0.50%
- Year 25 Warranted Power Output 85.5%

Electrical Data				
Model	SPR-P3-420-COM-1500	SPR-P3-415-COM-1500	SPR-P3-410-COM-1500	SPR-P3-405-COM-1500
Nominal Power (P _{nom}) ⁵	420 W	415 W	410 W	405 W
Power Tolerance	+5/0%	+5/0%	+5/0%	+5/0%
Efficiency	20.4%	20.1%	19.9%	19.6%
Rated Voltage (V _{mpp})	45.3 V	45.0 V	44.5 V	44.0 V
Rated Current (I _{mpp})	9.28 A	9.22 A	9.21 A	9.20 A
Open-Circuit Voltage (V _{oc}) (+/-3%)	54.4 V	54.1 V	53.9 V	53.3 V
Short-Circuit Current (I _{sc}) (+/-3%)	9.92 A	9.90 A	9.89 A	9.88 A
Maximum System Voltage	1500 V IEC			
Maximum Series Fuse	18 A			
Power Temp. Coef.	-0.34% / °C			
Voltage Temp. Coef.	-0.28% / °C			
Current Temp. Coef.	0.06% / °C			

Tests And Certifications	
Standard Tests ⁶	IEC 61215, IEC 61730 Rated to 1500 V
Quality Certs	ISO 9001:2008, ISO 14001:2004
EHS Compliance	OHSAS 18001:2007, Recycling Scheme
Ammonia Test	IEC 62716
Desert Test	MIL-STD-810G
Salt Spray Test	IEC 61701 (maximum severity)
LeTID Test ⁷	IEC 61215 (MQT 23.1 LeTID detection) draft standard
PID Test	IEC 62804
Available Listings	TUV

Operating Condition And Mechanical Data	
Temperature	-40°C to +85°C
Impact Resistance	25 mm diameter hail at 23 m/s
Solar Cells	Monocrystalline PERC
Tempered Glass	High-transmission tempered anti-reflective
Junction Box	IP-67, Stäubli MC4-Evo2, 3 bypass diodes
Weight	22 kg
Max. Load	Wind: 2400 Pa, 245 kg/m ² front & back Snow: 5400 Pa, 550 kg/m ² front
Frame	Class 2 silver anodized

1 Performance panels expected useful life of 35 years. Source: "SunPower P-Series Technology Technical Review," Leidos Independent Engineer Report. 2016.

2 SunPower 420 W, 20.4% efficient, compared to a Conventional Panel on same-sized arrays (370 W mono PERC, 19% efficient, approx. 1.94 m², 0.25%/yr slower degradation rate (Jordan, et. al. Robust PV Degradation Methodology and Application. PVSC 2018).

3 Osborne. "SunPower supplying P-Series modules to a 125MW NextEra project." PV-Tech.org. March 2017.

4 SunPower Performance Series – Thermal Performance, Z.Campeau 2016.

5 Measured at Standard Test Conditions (STC): irradiance of 1000 W/m², AM 1.5, and cell temperature 25° C.

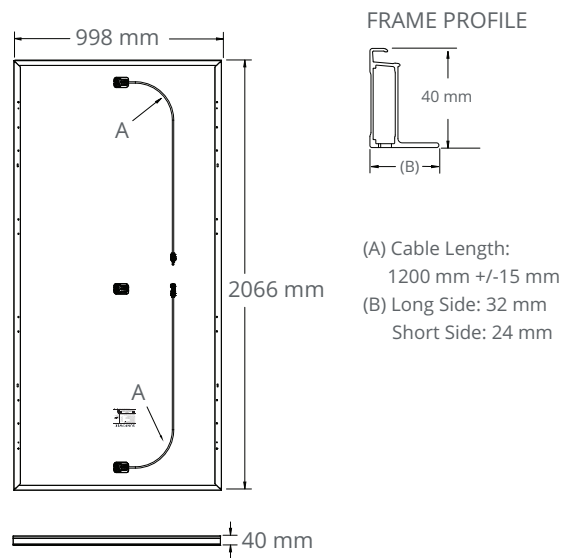
6 Class C fire rating per IEC 61730.

7 Fraunhofer CSP LID Sensitivity according to IEC 61215 (MQT 23.1 LeTID detection).

Designed in U.S.A. by SunPower Corporation
Assembled in China

Specifications included in this datasheet are subject to change without notice.

© 2020 Maxeon Solar Technologies, Ltd. All Rights Reserved. View warranty, patent and trademark information at maxeon.com/legal.



Please read the safety and installation guide.

SUNPOWER
FROM MAXEON SOLAR TECHNOLOGIES