

SPR-P6-XXX-COM-XS

PERFORMANCE 6 SOLAR PANEL

400-420 W | Up to 21.3% Efficient



Ideal for commercial applications



White backsheet, silver frame

Enhanced Power Density

With high efficiency, LeTID/LID-resistant solar cells (G12, 210mm), a lower temperature coefficient, and front-side conductive wires that support increased current collection, SunPower Performance panels are uniquely engineered to deliver more lifetime energy over standard solar panels.

Proven Reliability

A proprietary shingled-cell design maximises durability in all types of weather conditions—including reinforced cell connections that withstand the stresses of daily temperature swings, redundant electrical paths that alleviate the impact of cell cracks, and an advanced electrical architecture that is more resilient to the effects of shade and mitigates hot-spot formation.



SunPower Complete Confidence Warranty

Each SunPower Performance panel is manufactured with the absolute confidence to deliver more energy and greater reliability over time—and backed for 25 years by one of the industry's most comprehensive warranties.

Product and power coverage	25 / 25 Years
Year 1 minimum warranted output	98.0%
Maximum annual degradation	0.45%



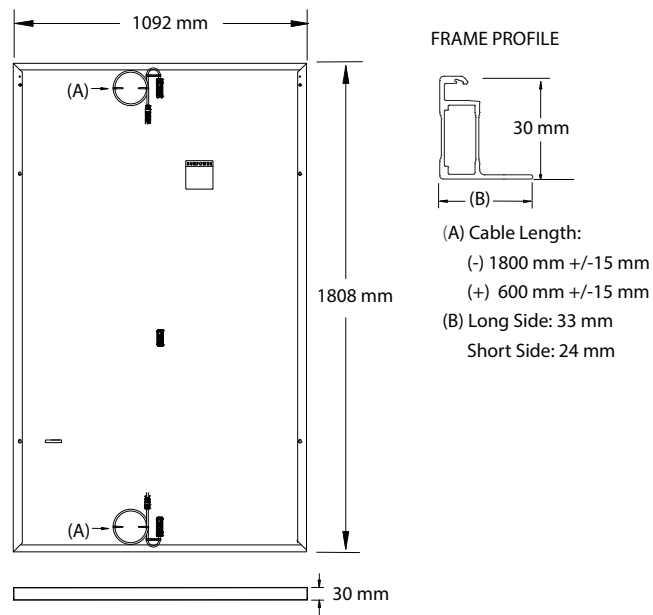
Learn more about the SPR-P6-XXX-COM-XS
sunpower.maxeon.com

Performance 6 POWER: 400-420 W | EFFICIENCY: Up to 21.3%

Electrical Data					
	SPR-P6-420-COM-XS	SPR-P6-415-COM-XS	SPR-P6-410-COM-XS	SPR-P6-405-COM-XS	SPR-P6-400-COM-XS
Nominal Power (P _{nom}) ¹	420 W	415 W	410 W	405 W	400 W
Power Tolerance	+3/0%	+3/0%	+3/0%	+3/0%	+3/0%
Panel Efficiency	21.3%	21.0%	20.8%	20.5%	20.3%
Rated Voltage (V _{mpp})	30.4 V	30.1 V	29.8 V	29.5 V	29.2 V
Rated Current (I _{mpp})	13.84 A	13.81 A	13.78 A	13.75 A	13.72 A
Open-Circuit Voltage (V _{oc}) (+/-5%)	37.0 V	36.7 V	36.4 V	36.2 V	36.0 V
Short-Circuit Current (I _{sc}) (+/-5%)	14.40 A	14.39 A	14.38 A	14.37 A	14.36 A
Maximum System Voltage	1500 V IEC				
Maximum Series Fuse	25 A				
Power Temp. Coef.	-0.34% / °C				
Voltage Temp. Coef.	-0.27% / °C				
Current Temp. Coef.	0.04% / °C				

Operating Condition And Mechanical Data	
Temperature	-40°C to +85°C
Impact Resistance	25 mm diameter hail at 23 m/s
Solar Cells	Monocrystalline PERC
Glass	3.2 mm, Heat Strengthened Glass
Junction Box	IP-68, 3 bypass diodes
Connector	EVO2
Weight	21.0 kg
Max. Load ²	Wind: 2400 Pa, 245 kg/m ² front & back Snow: 5400 Pa, 550 kg/m ² front
Frame	Silver anodized aluminum alloy

Tests And Certifications (Pending)	
Standard Tests	IEC 61215, IEC 61730
Fire Rating	Class C (IEC 61730)
Quality Certs	ISO 9001:2015, ISO 14001:2015
EHS Compliance	ISO 45001-2018, Recycling Scheme
Ammonia Test	IEC 62716
Dust and Sand	IEC 60068-2-68
Salt Spray Test	IEC 61701 (maximum severity)
LeTID Test	TUV 2fg 2689/04.19 (LeTID Detection)
PID Test	IEC 62804



Please read the safety and installation instructions. Visit www.sunpower.maxeon.com/int/PVInstallGuideIEC. Paper version can be requested through techsupport.ROW@maxeon.com

¹ Standard Test Conditions (1000 W/m² irradiance, AM 1.5, 25° C). NREL calibration Standard: SOMS current, LACCS FF and Voltage.
² As per IEC 61215-2016 tested and certified.

Designed in U.S.A.
Assembled in China
Specifications included in this datasheet are subject to change without notice.
©2022 Maxeon Solar Technologies. All Rights Reserved.
View warranty, patent and trademark information at maxeon.com/legal.